

Components to build your own...



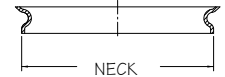
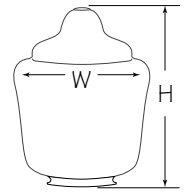
CLASSIC



ACORN



LAMP



Globe Style:	Height	Width	Color	Neck	Material	Item #
CLASSIC	21"	14"	CLEAR	8"	POLYCARBONATE	88063-CL-8F
					ACRYLIC	88263-CL-8F
CLASSIC (8 INCH)	26.88"	16.60"	CLEAR	8"	POLYCARBONATE	88066-CL-8F
					ACRYLIC	88266-CL-8F
CLASSIC (9 INCH)	26.13"	16.60"	CLEAR	9"	POLYCARBONATE	88066-CL-9F
					ACRYLIC	88266-CL-9F
ACORN	23"	15.13"	CLEAR	8"	POLYCARBONATE	88064-CL-8F
					ACRYLIC	88264-CL-8F
LAMP (8 INCH)	20.69"	15.44"	CLEAR	8"	POLYCARBONATE	88060-CL-8F
					ACRYLIC	88260-CL-8F
LAMP (9 INCH)	19.88"	15.44"	CLEAR	9"	POLYCARBONATE	88060-CL-9F*
					ACRYLIC	88260-CL-9F*

Polycarbonate

Recommended for use with High Intensity Discharge lamps. Polycarbonate has a high impact resistance and durability, making it less likely to be damaged or vandalized. Over time, globes will become yellowed compared to acrylic.

Acrylic - Impact Modified

Unsurpassed resistance to weathering and aging. Acrylic has an exceptional brilliance, which does not diminish even after prolonged use. Globes are made from a harder material which makes them more prone to damage or vandalism compared to polycarbonate.

Traditional HID Light Sources



Incandescent *Standard Socket - no additional charge*

Fixtures come standard with an incandescent socket for 110 volt electricity unless otherwise specified. Incandescent bulbs are rated for up to 1,000 hours of use.

High Intensity Discharge (HID)



High Pressure Sodium

Produces a golden-pink cast, it is the most efficient commercial light source. Bulbs are rated for 24,000 hours of use. Available in the wattages shown below. Capital Fitters & Mogul style bases come with harnesses for assembling ballast kit to lamp. Consult with your electrician for proper installation or call our customer service department for details.

70 watt	100 watt	150 watt
HP-070	HP-100	HP-150

Metal Halide

Produces a pure white light with excellent color rendering. bulbs last six times longer than standard incandescent bulbs. bulbs are rated for 10,000 hours of use. Available in the wattages shown below.

70 watt	100 watt	150 watt
MH-70	MH-100	MH-150

See page 34 for Surface Mounted post information & options

Post Top Globe Assemblies

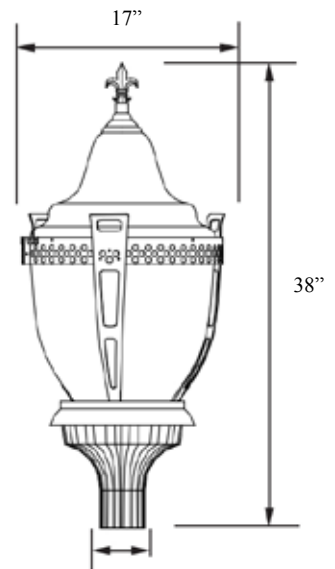
Historical LED Street Lighting



AVAILABLE IN BOTH
STYLE FINIALS



Standard with Spear Finial	Premium with Spear Finial	Economy Textured Globe	Ornamental Textured Globe
LENS: TYPE (III) OR (V)	LENS: TYPE (III) OR (V)	LENS: CLEAR	LENS: CLEAR
ITEM #: PB2S3SB	ITEM #: PB1P3SB	ITEM #: PV1SFB	ITEM #: PV1PFB
LED Fixture	LED Fixture	LED Fixture	LED Fixture
ITEM #: PB2S3SB-LED	ITEM #: PB1P3SB-LED	ITEM #: PV1SFB-LED	ITEM #: PV1PFB-LED



Standard with Fleur-di-lis	Deluxe with Fleur-di-lis	Premium with Fleur-di-lis
LENS: TYPE (III) OR (V)	LENS: TYPE (III) OR (V)	LENS: TYPE (III) OR (V)
ITEM #: PB2S3FB	ITEM #: PB2D3FB	ITEM #: PB2P3FB
LED Fixture	LED Fixture	LED Fixture
ITEM #: PB2S3FB-LED	ITEM #: PB2D3FB-LED	ITEM #: PB2P3FB-LED

FITS 3" DIAMETER



Choose Your LED...

Total Luminous Flux per Module	CCT	Optic Type			
		C		F	
		12w	9w	12w	9w
6500K	1288	850	1345	888	
5700K	1288	850	1345	888	
4000K	1076	710	1100	726	

LG LED Module	
COLOR TEMPERATURE	4000K, 5700K, 6500K
OPERATING TEMPERATURE	-40 TO 50 DEGREES CELSIUS
LIFESPAN	50,000 HOURS
WATTAGE	3 x 9 OR 12 WATTS
DRIVER INFO	ELECTRONIC, 120-277v, 50/60Hz, DIMMABLE