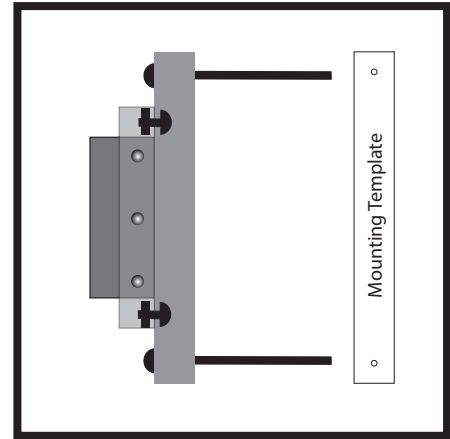


Cast Street Blade Installation Guide

Toll Free: 1-800-705-1446 We Can Help!

TOOLS REQUIRED:

Mounting Template (Provided)
3/8" Drill Bit (Provided)
Mounting Hardware Packet (Provided)
1/2" Wrenches
Permanant Marker
Tape Measure
Concrete Mix (for Direct Burial Posts)
Post Hole Digger
Hammer
Center Punch
Local Sign Ordinance Height and Location Requirements

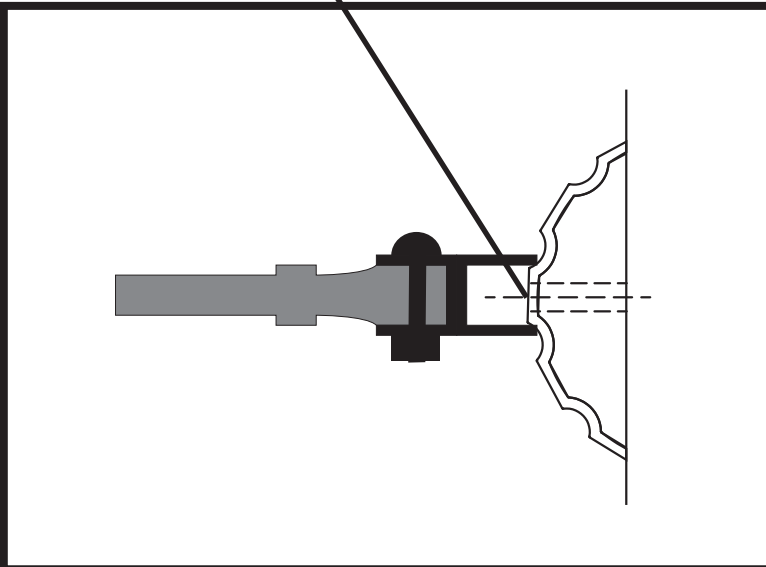


Mounting Bracket & Bolts

INSTRUCTIONS:

- 1) Hole location for sign installation is determined by the height requirement and orientation of the completed installation.
- 2) Measure from the top of post to the first hole location and mark with a permanant marker on raised flute.
- 3) Use the mounting template to locate and mark the bottom hole location.
- 4) Use hammer and center punch to dimple the hole locations.
- 5) Use 3/8" drill provided to drill clearance hole.
- 6) Repeat steps 1-5 to drill holes on opposite side of post
- 7) Repeat steps 1-5 to drill holes on each side of post for second street sign
- 8) Mount street blades to posts using 5/16-18 stainless steel bolts, washers and nuts.

IMPORTANT NOTE: Mounting bracket will seat best to fluted post when mounting holes are drilled center on the raised flute.



IMPORTANT NOTE:

Sign face orientation and direction is a key component of the installation process. It is important to plan ahead to assure that each sign may be viewed properly from each direction. It will be necessary to offset the height of two street blades mounted perpendicular to each other to avoid interference of the mounting hardware.